

# MANISCOPIC

# MT 1740 SLT MU ORH



- Working height : 18.42 m
- Maximum forward reach : 11.00 m
  - Max. capacity : 365 kg including 3 people
    - Torque convertor
- 4 wheel drive - 4 wheel steer
  - Hydraulic stabilizers and frame levelling
- Extendable platform from 2.25 m to 4 m adjustable (180°).





«EC» type examination N° 0526 760A 4910 04 97




# MT 1740 SLT MU ORH


 **Capacity** .....365 kg including 3 people  
 Working height.....18.42 m  
 Basket floor height.....16.42 m


 **Lifting height** (with forks).....16.65 m  
**Times** : unladen / loaded (in s)  
 Lifting.....16/17  
 Lowering.....10/9  
 Extension 1<sup>st</sup> boom.....13.9/14.7  
 Retraction 1<sup>st</sup> boom.....10.6/10.2  
 Extension 2<sup>nd</sup> boom.....7.9/9.7  
 Retraction 2<sup>nd</sup> boom.....7.17/7.25  
 Extension 3<sup>rd</sup> boom.....10.4/11.5  
 Retraction 3<sup>rd</sup> boom.....9.7/8.7


 **Tyres**  
 440/80-24 T37 158 B


 **Forks** (mm)  
 Length .....1200  
 Width x thickness.....125 x 50

 **Equipment** :  
 Extendable platform .....from 2.25 to 4 m  
 Platform rotation .....180°


 **Multidisc brakes - hydraulically assisted on both axles**

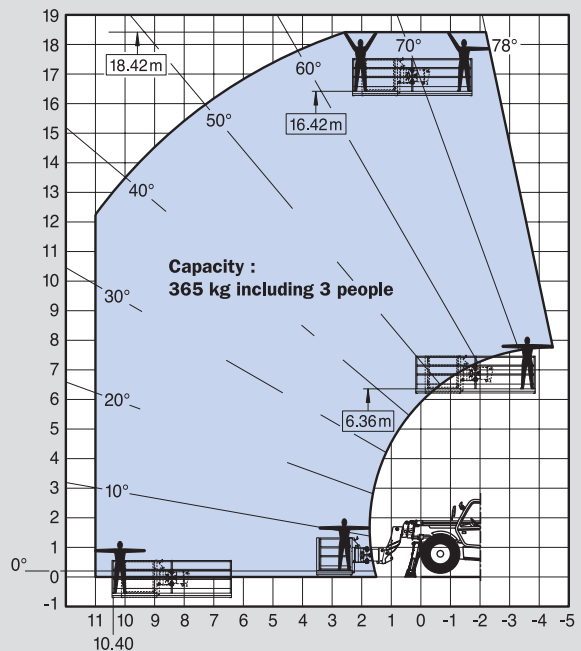
 **Turbo PERKINS Engine**  
 Type.....1104C - 44 Turbo  
 Capacity .....4 cyl. 4400 cm<sup>3</sup>  
 Power (ISO/TR 14396) :  
 at 2200 rpm .....100 HP/74.5 kw  
 Maximum torque (ISO/TR 14396).....412 Nm at 1400 r.p.m.  
 Direct Injection  
 Water Cooling

 **Transmission** .....Torque convertor  
 Electro-hydraulic reversing shift  
 4 gears forward and reverse  
 Maximum travel speed .....25 km/h

 **Hydraulics**  
 Gear type .....260 bars /196 l/mn  
 Flow divider with priority to steering and brakes

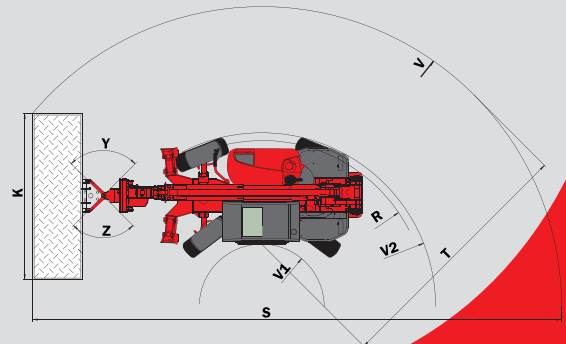
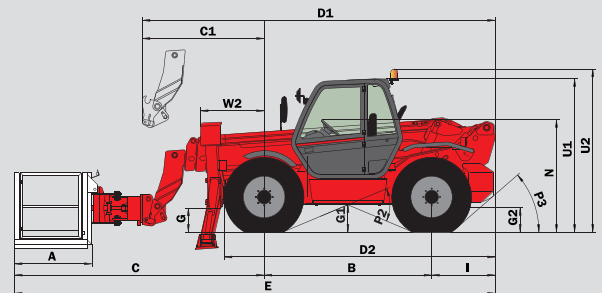
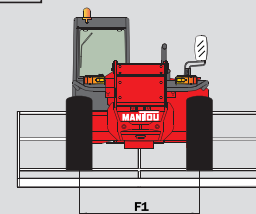
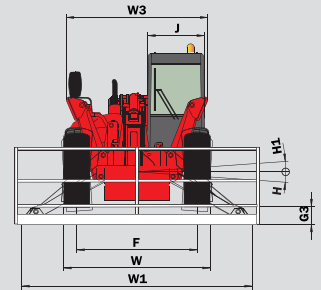
 **Capacities**  
 Cooling system.....18.5 l.  
 Engine oil .....11 l.  
 Hydraulic oil .....175 l.  
 Transmission oil.....16 l.  
 Fuel tank.....135 l.

 **Weight unladen** (with platform) .....12015 kg  
**Overall width** .....2.42 m  
**Overall height** .....2.59 m  
**Turning radius** (outside wheels).....4.15 m  
**Overall length** .....7.94 m  
**Ground clearance** .....0.50 m  
**Drawbar pull** .....9800 daN



4 m platform with hydraulic rotation 180° - Under En 280 - 2001

Options of platform	
Fixed 2 m	
Adjustable 2 m	365 kg
Adjustable 2.40 m	including
Adjustable and extendable 2.45/5 m	3
Adjustable and extendable 2.45/6 m	people
Adjustable and extendable 2.25/4 m	1000 kg
	including 3 people



A	1200
B	2770
C	4120
C1	2045
D	887
D1	5865
D2	4435
E	7940
F	1990
F1	1990
G	500
G1	495
G2	500
G3	290
H	7°
H1	7°
I	1050
J	950
K	4000
L	1250
N	1890/1940
P2	45,5°
P3	50°
R	3935
S	12855
T	6300
U1	2590
U2	2770
V	7350
V1	1470
V2	4150
W	2425
W1	3820
W2	1050
W3	2350
Y	90°
Z	90°

mm



This publication in no way constitutes an offer and the company reserves the right to alter specification without prior notice.  
 The MANITOU models presented in this brochure can be supplied complete with optional equipment attachments.  
 PATENTS FR 93 14367 - EP 0 656 315 - US PENDING PATENTS FR 93 14367 - EP 0 656 315 US PENDING



**MANITOU B.F. S.A.**  
 B.P.249 - 44158 ANCENIS CEDEX - FRANCE  
 TEL : 33 2 40 09 10 11  
 EXPORT DEPARTMENT FAX : 33 2 40 09 10 97  
 www.manitou.com