

MANISCOPIC

MLA 628 - 120 LS POWERSHIFT

- Maximum lifting height : 5.13 m (TI) / 5.11 m (TS)
- Maximum capacity : 2800 Kg (TI) / 2500 Kg (TS)
- Maximum forward reach : 2.92 m (TI) / 3.10 m (TS)
- Torque convertor Powershift transmission
- 123 HP Perkins intercooled engine
- 144 l./mn output Load Sensing hydraulics with simultaneous movements
- Mono - ultra joystick “kick down” control



MLA 628 - 120 LS PS - CBG Standard 2300



MLA 628 - 120 LS POWERSHIFT



Lifting capacity (TI/TS)2800/2500 kg
at 500 mm from forks heels
Tear out force with toothed digging bucket
to ISO 8313 with tilting ram5250 daN



Max. lifting height5.13/5.11 m
Speeds : unladen/loaded (in s)
Lifting6.5/6.7
Lowering4.7/4.6
Boom extension3.3/3.4
Boom retraction2.1/2.2
Times unladen (in s)
Crowd3.3
Dump2.4



Tyres17.5 LR 24
Optional tyres19.5 LR 24



Forks (mm)
Length1200 mm
Width x thickness125x45
Maximum distance between forks1170/1260
Carriage rotation160°/161°



Oil bath multidisc brakes hydraulically assisted on front/rear axles



PERKINS Engine
Type1104 C - 44 TA
Capacity4 cyl. - 4400 cm³
Power (ISO TR 14396)123 HP/90,5 kw
Maximum torque434 Nm at 1400 rpm
Direct injection
Water cooling



TransmissionPowershift DANA
Electrohydraulic reversing shift
4 speeds forward and 3 speeds reverse



Hydraulics
Lifting/tilting pump
Load Sensing system144 l/mn - 250 bar
Flow divider with load sensing
device driving and braking

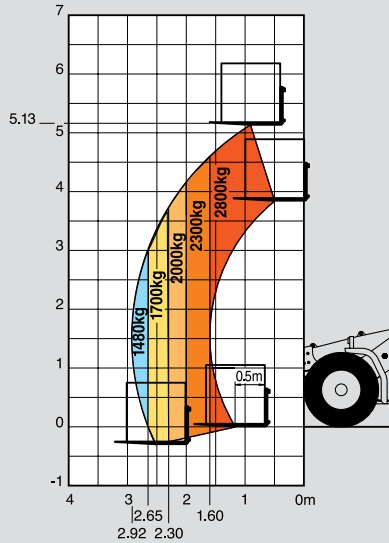


Capacities
Cooling system20 l
Engine oil8 l
Hydraulic oil130 l
Transmission oil15.5 l
Fuel tank110 l

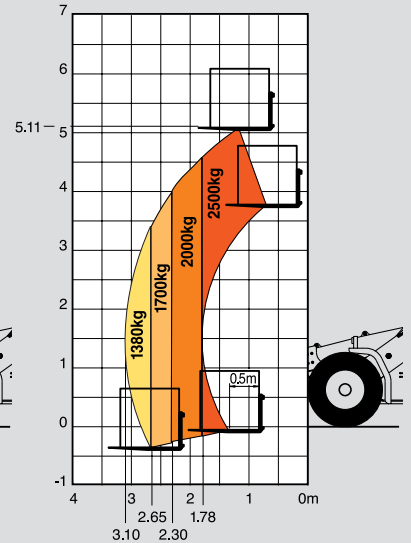


Weight unladen (with forks)6660/6700kg
Overall width2.22 m
Overall height2.64 m
Turning radius (outside wheels)4.25 m
Overall length5.21/5.38 m
Ground clearance0.39 m
Drawbar pull8500 daN

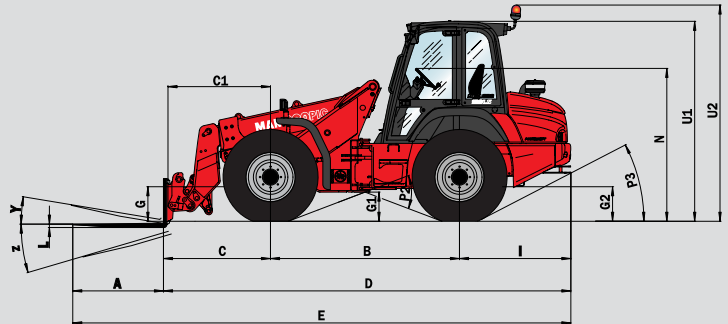
Integrated carriage (TI)



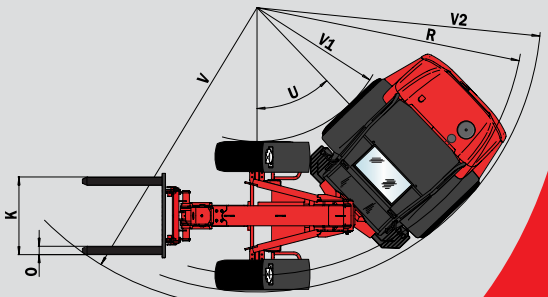
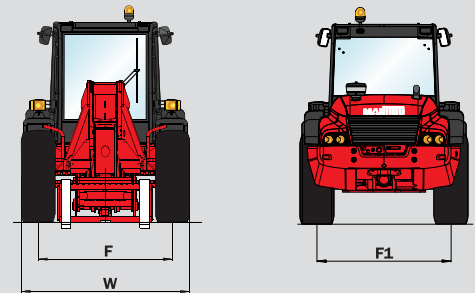
Quick fitting carriage (TS)



Under EN 1459 annexe B



	TI	TS
A	1200	1200
B	2500	2500
C	1245	1415
C1	1245	1840
D	5220	5390
E	6420	6590
F	1775	1775
F1	1775	1775
G	457	457
G1	386	386
G2	457	457
I	1475	1475
K	1170	1260
L	45	45
N	2022	2022
O	125	125
P2	42°	42°
P3	27°	27°
R	4004	4004
U	44°	44°
U1	2645	2645
U2	2860	2860
V	4405	4501
V1	2004	2004
V2	4256	4256
W	2225	2225
Y	12°	10°
Z	148,7°	151



(mm)

This publication in no way constitutes an offer and the company reserves the right to alter specification without prior notice. The MANITOU models presented in this brochure can be supplied complete with optional equipment attachments.



MANITOU B.F. S.A.
B.P.249 - 44158 ANCENIS CEDEX - FRANCE
TEL : 33 2 40 09 10 11
EXPORT DEPARTMENT FAX : 33 2 40 09 10 97
www.manitou.com