


# Twisco


## SLT 415 B


Mini-telescopic, maxi versatility !



# Twisco SLT 415 B


 **Load capacity** .....1400 kg  
Twisco, at 500 mm load centre


 **Standard lifting height** (with forks carrier) .....3.88 m  
**Maximum front reach** .....2.30 m

 **Tyres**  
Front /rear .....10 X 16,5 10 PR SKS

 **Multiple hooking carrier**  
with optional hydraulic line at boom head


 **Brakes**  
Service brake .....hydrostatic (front and rear axle)  
Parking brake .....electro-hydraulic on front axle

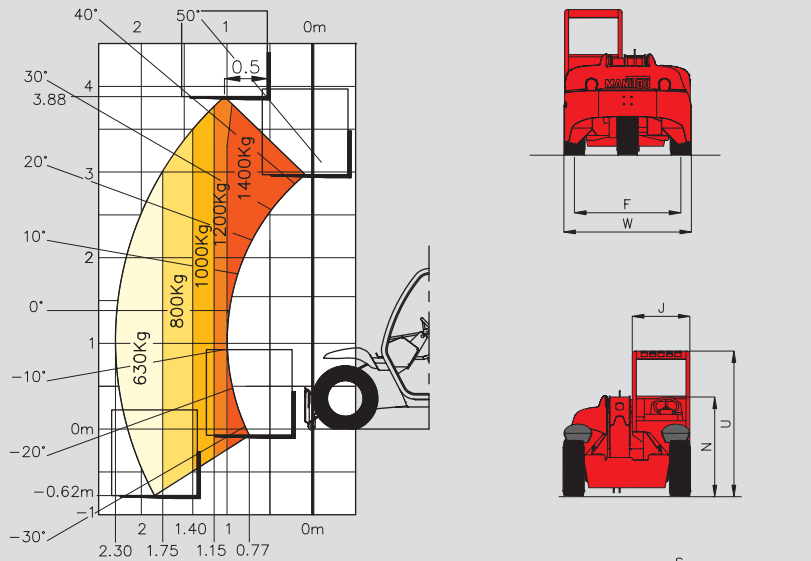
 **Lister Petter engine**  
Type .....LPWS 4  
Capacity .....4 cyl. - 1860 cm<sup>3</sup>  
Power .....(DIN 70020) 39.7 H.P./29.2 kw  
Nominal capacity .....2800 r.p.m.  
Maximum torque .....96.6 Nm at 2000 r.p.m.  
Water cooling

 **Transmission** .....hydrostatic  
Electro-magnetic reversing shift  
Maximum travel speed .....13.5 km/h

 **Hydraulic system**  
Main pump (gear type) .....240 bar/36 L/mn  
Steering pump .....gear type  
Load Sensing .....120 bar/36 l/mn

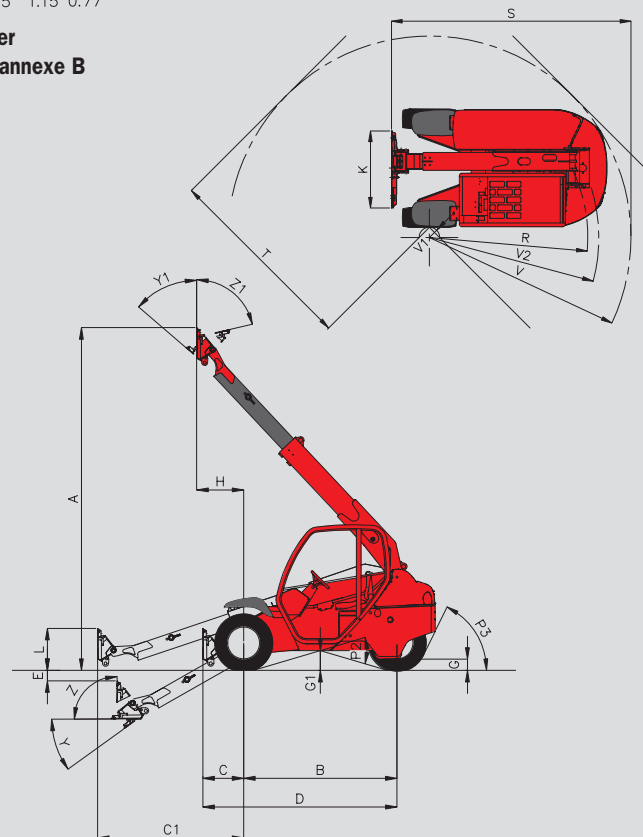
 **Capacities**  
Cooling circuit .....8 L  
Engine oil .....5,6 L  
Hydraulic oil .....43 L  
Fuel tank .....70 L

 **Weight** (with forks) .....2520 kg  
**Overall width** .....1662 mm  
**Overall height** .....1900 mm  
**Turning radius (rear wheel axle)** .....2380 mm  
**Ground clearance** .....258 mm  
**Maximum towbar pull (loaded)** .....1650 daN



**With forks carrier**  
under EN 1459 annexe B

SLT 415 B	
A	4471
B	2000
C	533
C1	1905
D	2533
E	136
F	1386
G	146
G1	258
H	613
J	750
K	1082
L	549
N	1300
P2	33°
P3	64°
R	2225
S	3364
T	2728
U	1900
V	2831
V1	145
V2	2380
W	1662
Y	36°
Y1	49°
Z	91°
Z1	77°



This publication in no way constitutes an offer and the company reserves the right to alter specification without prior notice. The MANITOU models presented in this brochure can be supplied complete with optional equipment attachments.



**MANITOU B.F. S.A.**  
B.P249 - 44158 ANCENIS CEDEX - FRANCE  
TEL : 33 2 40 09 10 11  
EXPORT DEPARTMENT FAX : 33 2 40 09 10 97  
www.manitou.com