

MANISCOPIC


MT 1335 H SLT


- Maximum lifting height : 13 m
- Capacity : 3500 kg
- Maximum forward reach : 9.40 m
- Hydrostatic transmission
- Hydraulic stabilizers
- Frame levelling
- 4 wheel drive




MT 1335 H SL Turbo

 **Lifting capacity**3500 kg
at 500 mm from forks heels.
Tipping load at maximum reach :.....1400 kg
Tear out force with toothed digging bucket
to ISO 8313-1986 with tilting ram.....8650 daN


 **Lifting height** :13 m
Times : unladen/loaded (in s)
Lifting.....11.6/12.5
Lowering.....8.5/8.2
Simultaneous extension 1st and 2nd booms18/20
Simultaneous retraction 1st and 2nd booms.....14/16
Time unladen (in s)
Crowd4.6
Dump.....3.8


 **Tyres**
400/80 - 24 TL 156 B

 **Forks** (mm)
Length1200
Width x thickness125 X 45
Maximum distance between forks.....1040
Carriage rotation124°


 **Brakes hydraulically operated
with oil-immersed multidiscs**

 **PERKINS Engine**
Type.....1104C.44 Turbo
Capacity4 cylindres - 4400 cm³
Power (ISO/TR 14396) at 2200 rpm ...100 HP/74.5 kw
Maximum torque.....412 Nm at 1400 rpm
Direct Injection
Water Cooling

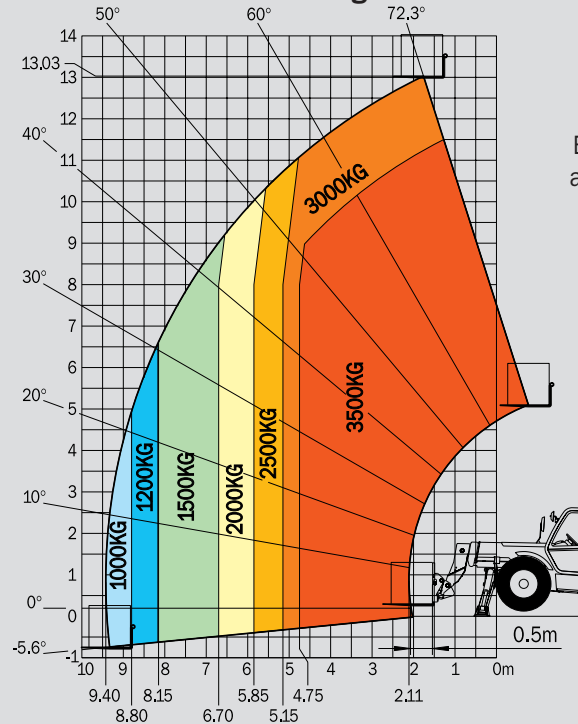
 **Transmission**.....hydrostatic
with automatic power regulation
(hydraulic variable displacement pump and motor)
Electro-hydraulic reversing shift
4 speeds forward and 2 reverse
Travel speed.....25 km/h

 **Hydraulics**
Pump gear type:.....250 bars/172 l/mn
Flow divider with priority to steering

 **Capacities**
Cooling system.....21 l.
Engine oil11 l.
Hydraulic oil126 l.
Fuel tank.....135 l.

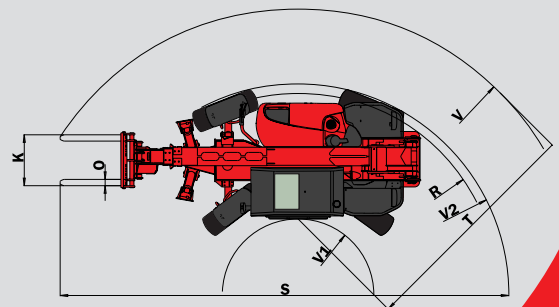
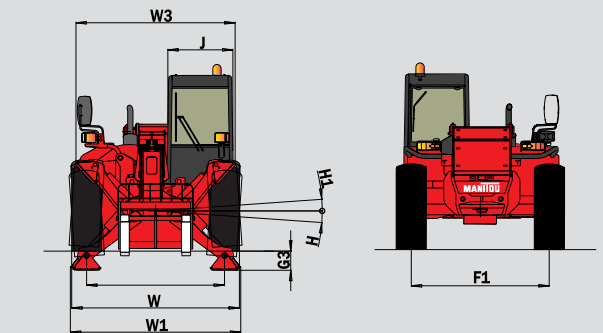
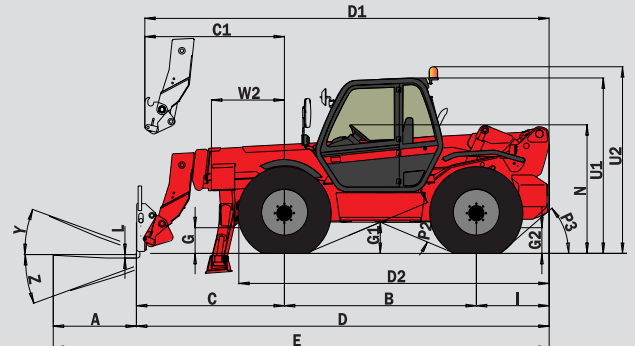
 **Weight unladen** (with forks)10125 kg
Overall width.....2.30 m
Overall stabilizers extended.....2.32 m
Overall height.....2.57 m
Turning radius (outside wheels).....4.07 m
Length up to carriage.....5.95 m
Ground clearance.....0.45 m
Drawbar pull (Turbo).....8400 daN

Reach at maximum height : 1.88 m



Under
EN 1459
annexe B

A	1200
B	2770
C	2134
C1	2045
D	5954
D1	5865
D2	4420
E	7154
F	1900
F1	1900
G	450
G1	445
G2	450
G3	275
H	7°
H1	7°
I	1050
J	950
K	1040
L	45
N	1890
O	125
P2	45.5°
P3	40°
R	3870
S	8789
T	4565
U1	2575
U2	2755
V	5650
V1	1450
V2	4070
W	2300
W1	2320
W2	1225
W3	2035
Y	12°
Z	112°



This publication in no way constitutes an offer and the company reserves the right to alter specification without prior notice.
The MANITOU models presented in this brochure can be supplied complete with optional equipment attachments.
PATENTS FR 93 14367 - EP 0 656 315 US PENDING



MANITOU B.F. S.A.
B.P.249 - 44158 ANCENIS CEDEX - FRANCE
TEL : 33 2 40 09 10 11
EXPORT DEPARTMENT FAX : 33 2 40 09 10 97
www.manitou.com