

# MANISCOPIC


# MT 1240 LT ULTRA


- Maximum lifting height : 11.64 m
- Capacity : 4000 kg
- Maximum forward reach : 8.46 m
- Torque convertor
- Frame levelling 10°/10°




# MT 1240 LT ULTRA


 **Lifting capacity** .....4000 kg  
at 500 mm from forks heels.  
Tipping load at maximum reach .....257 kg  
Tear out force with toothed digging bucket  
to ISO 8313-1986 with tilting ram .....7000 daN


 **Lifting height** : .....11.64 m  
**Times** : unladen/loaded (in s)  
Lifting .....12/12.5  
Lowering .....8.5/8  
Simultaneous extension 1st and 2nd booms ...15.4/15.4  
Simultaneous retraction 1st and 2nd booms ...12.7/12.2  
Time unladen (in s)  
Crowd .....4.75  
Dump .....4.2


 **Tyres**  
15,5/80 - 24 16PR SGI

 **Forks** (mm)  
Length .....1200  
Width x thickness .....125 X 50  
Maximum distance between forks .....1040  
Carriage rotation .....124°


 **Multidisc brakes - hydraulically assisted on both axles**

 **PERKINS Engine**  
Type .....1104C.44 Turbo  
Capacity .....4 cylindres - 4400 cm<sup>3</sup>  
Power (ISO/TR 14396) : Turbo : .....100 HP/74.5 kw  
at 2200 rpm  
Maximum torque .....412 Nm at 1400 rpm  
Direct Injection  
Water Cooling

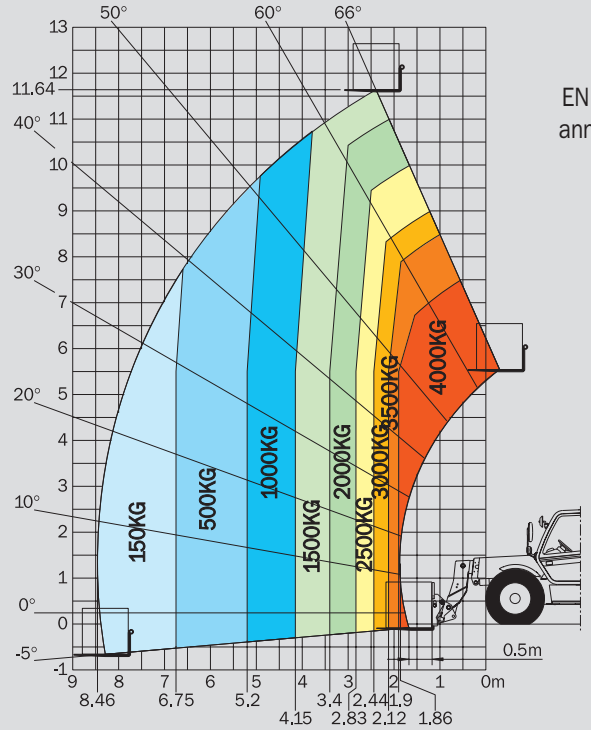
 **Transmission** .....Torque convertor  
Electro-hydraulic reversing shift  
4 speeds forward and reverse  
Maximum travel speed .....25 km/h

 **Hydraulics**  
Lifting/tilting pump  
gear type: .....260 bars/166 l/mn  
Flow divider with priority to steering and brakes

 **Capacities**  
Cooling system .....18.5 l.  
Engine oil .....11 l.  
Hydraulic oil .....120 l.  
Transmission oil .....16 l.  
Fuel tank .....135 l.

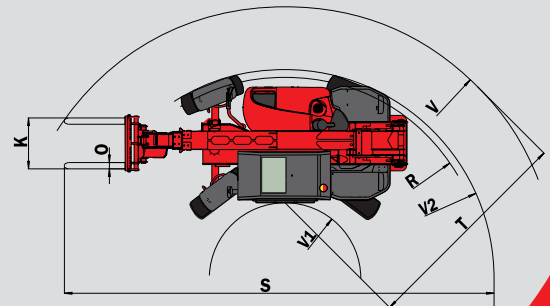
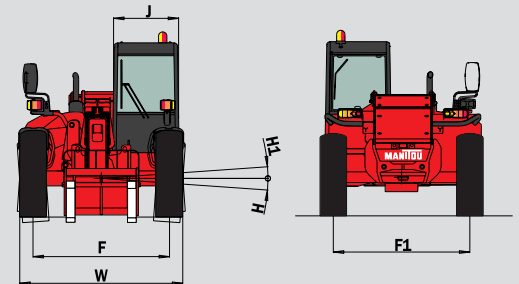
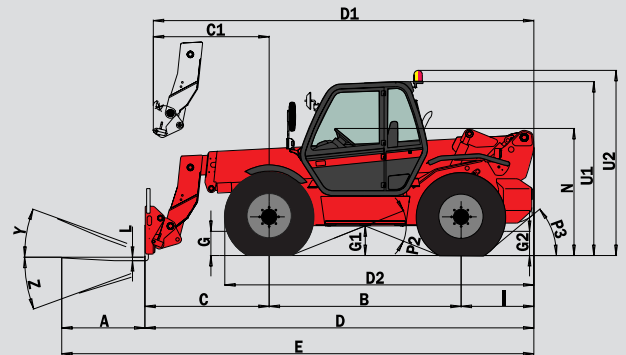
 **Weight unladen** (with forks) .....9470 kg  
**Overall width** .....2.39 m  
**Overall height** .....2.58 m  
**Turning radius** (outside wheels) .....4.15 m  
**Length up to carriage** .....5.61 m  
**Ground clearance** .....0.45 m  
**Drawbar pull** .....8600 daN

## Reach at maximum height : 2.12 m



Under  
EN 1459  
annexe B

A	1200
B	2770
C	1785
C1	1695
D	5605
D1	5515
D2	4420
E	6805
F	1990
F1	1990
G	450
G1	445
G2	450
H	10°
H1	10°
I	1050
J	950
K	1040
L	50
N	1850
O	125
P2	43,5°
P3	40°
R	3950
S	8520
T	4385
U1	2575
U2	2755
V	5470
V1	1470
V2	4150
W	2390
Y	12°
Z	112°



This publication in no way constitutes an offer and the company reserves the right to alter specification without prior notice. The MANITOU models presented in this brochure can be supplied complete with optional equipment attachments. PATENTS FR 93 14367 - EP 0 656 315 US PENDING



**MANITOU B.F. S.A.**  
B.P.249 - 44158 ANCENIS CEDEX - FRANCE  
TEL : 33 2 40 09 10 11  
EXPORT DEPARTMENT FAX : 33 2 40 09 10 97  
www.manitou.com