

MANISCOPIC

MT 845 T SERIE 2

- Lifting height : 7.55 m
- Capacity : 4500 kg
- Maximum forward reach : 4.57 m
- Torque convertor
- 4 wheel steer - 4 wheel drive



PERKINS ENGINE 1000 SERIES CONFORMS TO EUROPEAN DIRECTIVE 97/68/ECC



MT 845 T



Lifting capacity
 at 500 mm from forks heels 4500 kg
 Tipping load
 at maximum reach 1610 kg
 Tear out force with bucket ISO 8313 6650 daN



Lifting 7.55 m
Times : Unladen/loaded (in s)
 Lifting 10.5/11
 Lowering 7.2/6.7
 Extension 11.6/11.6
 Retraction 6.5/6
 Time unladen (in sec.)
 Crowd 4.6
 Dump 3.7



Tyres
 445/70 R24 MPT IT 510 151G TL



Forks (mm)
 Length 1200
 Width x thickness 125 x 50
 Maximum distance between forks 790
 Carriage rotation 142 °



Multidisc brakes - hydraulically assisted on both axles



Perkins engine
 Type 1004.40 Turbo
 Capacity 4 cyl. 3990 cm³
 Power at 2.200 rpm (ISO/TR 14396) ..100 HP/74.6 kW
 Maximum torque 402.5 Nm at 1400 tr/mn
 Direct injection
 Water cooling



Transmission Torque convertor
 Electro-hydraulic reversing shift
 4 speeds forward and reverse
 Maximum travel speed 25 km/h



Hydraulics
 Lifting/tilting pump
 gear type 250 bar/98 l./mm
 Flow divider with priority to steering and brakes

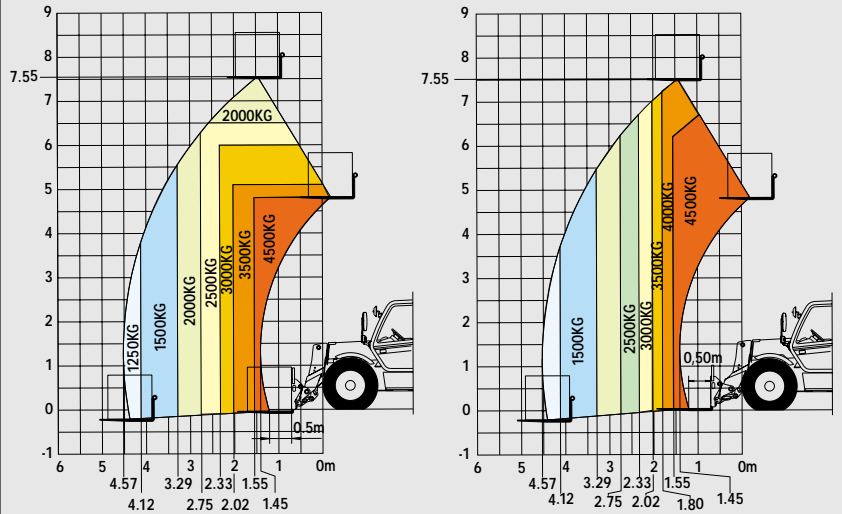


Capacities
 Cooling system 26.5 l.
 Engine oil 11 l.
 Hydraulic oil 110 l.
 Transmission oil 16 l.
 Fuel tank 135 l.



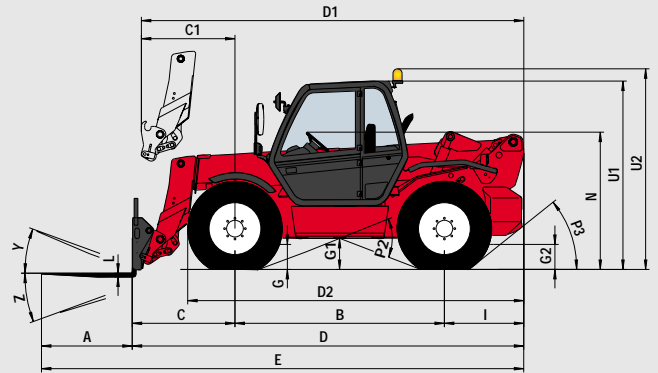
Weight unladen (with forks) 8300 kg
Overall width 2.39 m
Overall height 2.55 m
Turning radius (outside wheels) 4.25 m
Overall length 5.22 m
Ground clearance 0.42 m
Drawbar pull 9000 daN

Reach at maximum height : 1.45 m

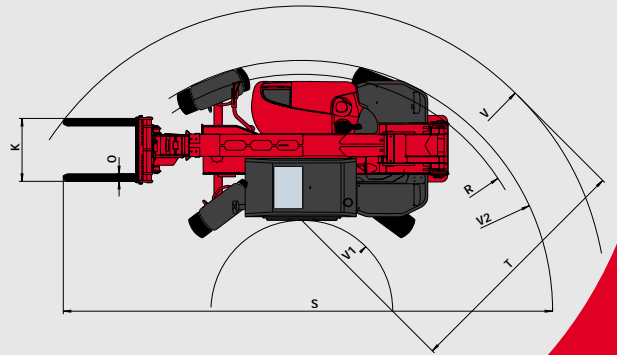
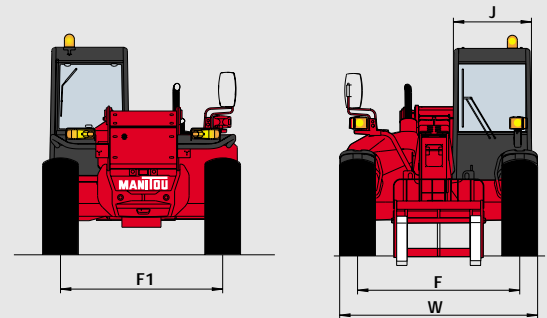


Under EN 1459 annexe B
 (Rough terrain forklifts)

Under EN 1459 annexe A
 (Industrial forklifts)



| | |
|----|-------|
| A | 1200 |
| B | 2770 |
| C | 1315 |
| C1 | 1275 |
| D | 5215 |
| D1 | 5135 |
| D2 | 4395 |
| E | 6415 |
| F | 1950 |
| F1 | 1950 |
| G | 450 |
| G1 | 425 |
| G2 | 450 |
| I | 1050 |
| J | 950 |
| K | 1040 |
| L | 50 |
| N | 1870 |
| O | 125 |
| P2 | 43.5° |
| P3 | 40° |
| R | 4030 |
| S | 8230 |
| T | 4255 |
| U1 | 2550 |
| U2 | 2730 |
| V | 5410 |
| V1 | 1575 |
| V2 | 4250 |
| W | 2395 |
| Y | 12° |
| Z | 130° |



mm

This publication in no way constitutes an offer and the company reserves the right to alter specification without prior notice.
 The MANITOU models presented in this brochure can be supplied complete with optional equipment attachments
 PATENTS FR 93 14367 - EP 0 656 315 - US PENDING



MANITOU B.F. S.A.
 B.P249 - 44158 ANCENIS CEDEX - FRANCE
 TEL : 33 2 40 09 10 11
 EXPORT DEPARTMENT FAX : 33 2 40 09 10 97
 www.manitou.com