

MANISCOPIC

MLT 741 - 120 LSU


- Maximum lifting height : 6.90 m
 - Capacity : 4100 kg
- Maximum forward reach : 3.93 m
 - Torque convertor




MLT 741 - 120 LSU Powershift - FFGR 30 MT 2100




MLT 741- 120 LSU


 **Lifting capacity**4100 kg
(load centre at 500mm from forks heels)
Tipping load at maximum reach.....1750 kg


 **Lifting height**6.90 m
Times : unladen / loaded (in s)
Lifting.....7/7.5
Lowering.....5.3/5.2
Boom extension.....8.2/9.0
Boom retraction.....6.2/6.0
Time unladen (in s)
Crowd3.5
Dump.....3.0


 **Tyres**
17,5 LR 24


 **Forks** (mm)
Length1200
Width X thickness125 x 50
Maximum distance between forks.....1260
Carriage rotation146°


 **Oil bath multidisc brakes on front and rear axles**

 **Perkins engine**
Turbo 120 : 1104 C - 44 TA4 cyl. - 4400 cm³
Power (ISO/TR 14396).....123 HP/90.5 kw
Maximum torque
(ISO/TR 14396) :434 Nm at 1400 rpm
Direct injection
Water cooling

 **Transmission**.....torque convertor
Number of speeds4/4
Reversing shift.....electrohydraulic
Limited slip differential lock
Max. travel speed :till 40 km/h*
Powershift available for the MLT 741-120 LSU (5/3)

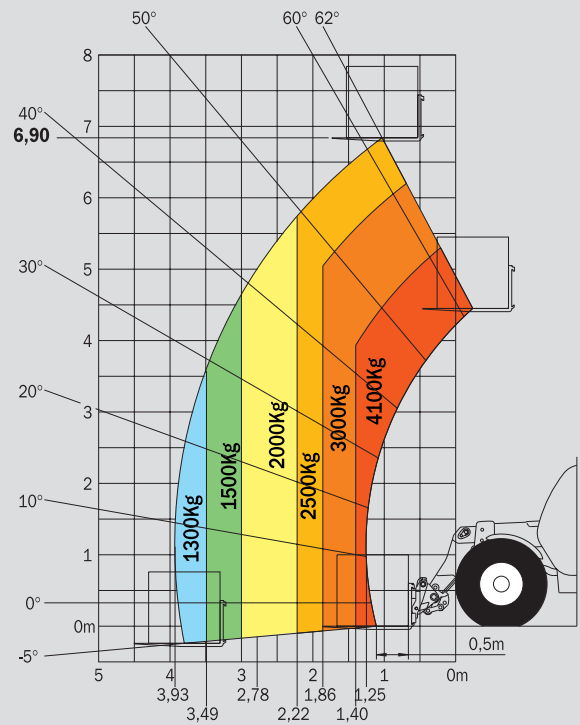
 **Hydraulic**
Turbo 120 LSU150 l./mn - 270 bars
Load Sensing pump with electronic control
Electro proportional command monolever
Flow divider with load sensing device driving and braking

 **Capacities**
Hydraulic oil125 l
Fuel tank.....120 l

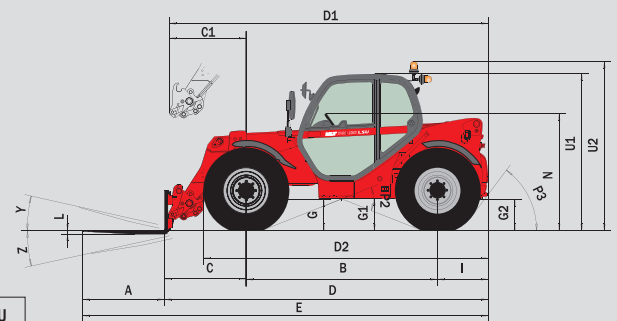
 **Weight unladen** (with forks)7420 kg
Overall height2.30 m
Overall width.....2.30 m
Overall length (at forks carriage)4.91 m
Ground clearance0.45 m
Turning radius (outside wheels)3.85 m
Drawbar pull9100 daN

* Depending on models

Forward reach at maximum height : 1.03 m



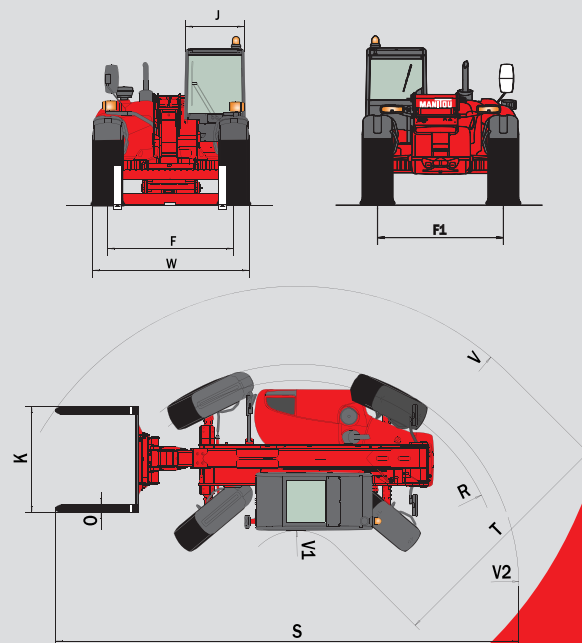
EN 1459 annexe B



MLT 741 - 120 LSU
MLT 741 - 120 LSU PS

A	1200
B	2810
C	1232
D	4919
D1	4975
D2	4287
E	6119
F	1870
F1	1870
G	455
G1	440
G2	440
I	877
J	865
K	1260
L	50
N	1720
O	125
P2	38°
P3	53°
R	3625
S	7689
T	3505
U1	2300
U2	2550
V	4865
V1	1360
V2	3853
W	2325
Y	12,3°
Z	133,5°

mm



This publication in no way constitutes an offer and the company reserves the right to alter specification without prior notice. The MANITOU models presented in this brochure can be supplied complete with optional equipment attachments.



MANITOU B.F. S.A.
B.P249 - 44158 ANCENIS CEDEX - FRANCE
TEL : 33 2 40 09 10 11
EXPORT DEPARTMENT FAX : 33 2 40 09 10 97
www.manitou.com